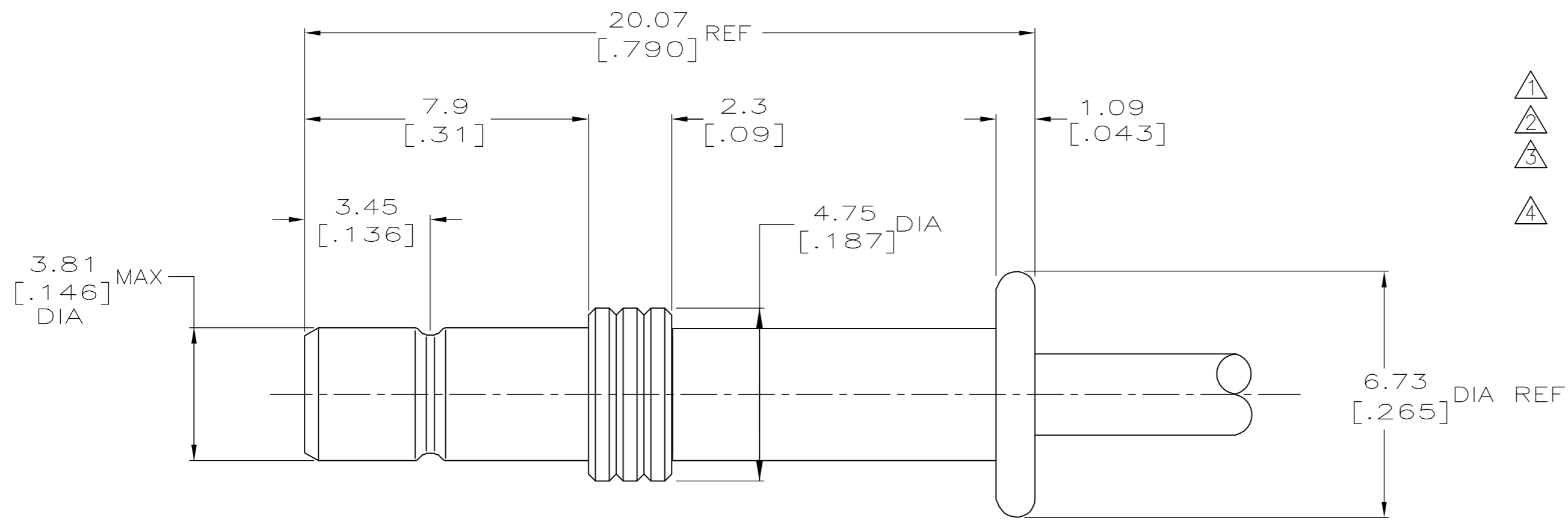
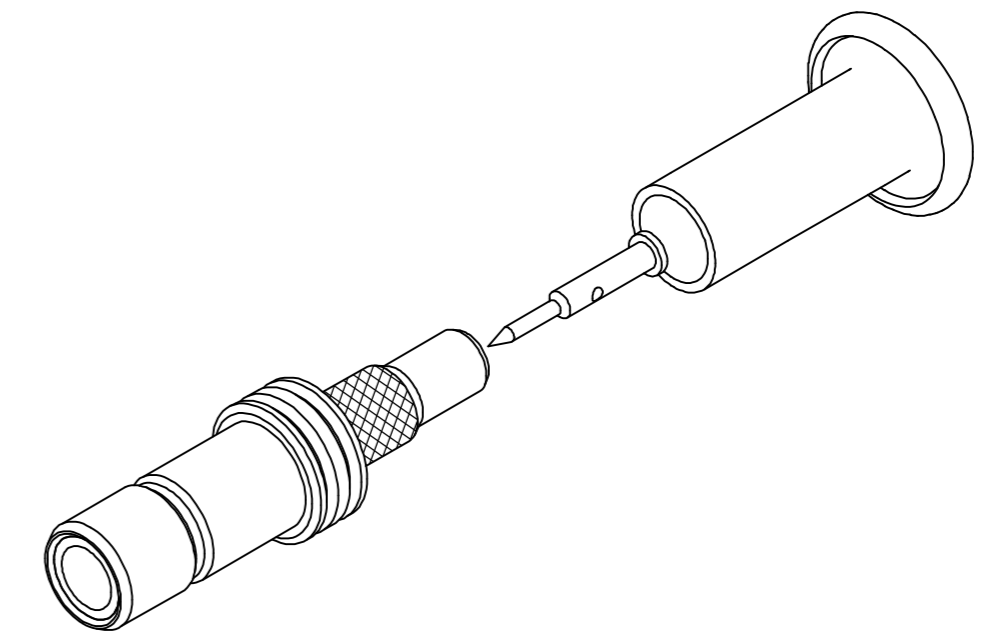


THIS DRAWING IS UNPUBLISHED. RELEASED FOR PUBLICATION  
 © COPYRIGHT BY TYCO ELECTRONICS CORPORATION. ALL RIGHTS RESERVED.

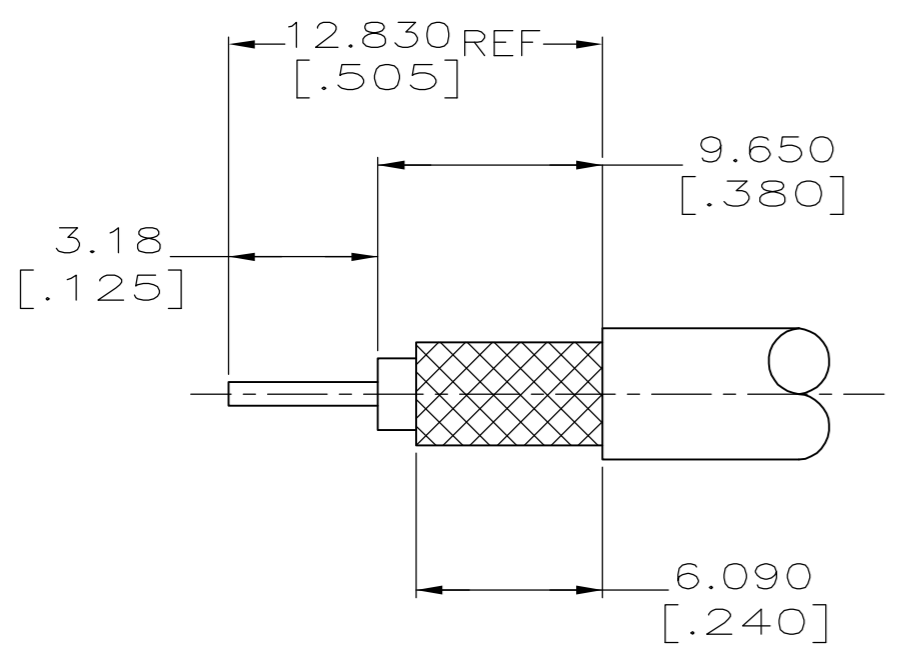
LOC		DIST		REVISIONS			
P	LTR	DESCRIPTION		DATE	DWN	APVD	
		0		REV PER EC-0S14-0496-04	31JAN2005	GA JGH	



- ⚠ 1 FOR USE WITH HAND TOOL 220190-1
- ⚠ 2 USE WITH MILITARY HAND TOOL M22520/5-01
- ⚠ 3 USE WITH MILITARY HAND TOOL M22520/2-01 (DANIELS AFMB) WITH DANIELS POSITIONER K727
- ⚠ 4 SPECIAL XEROX STYLE 1275 CABLE, RG-178/U, -178A/U, -178B/U, -196/U AND -196A/U CABLES.



ISOMETRIC VIEW



RECOMMENDED STRIP LENGTH  
SCALE :NTS

⚠ 4	SET AT NO 4 POSITION	Y444	58046-1 (AREA A)	5414170-2
RG-174/U, 188/U & 316/U	SET AT NO 4 POSITION	Y444	58046-1 (AREA A)	5414170-1
FOR USE WITH CABLE	DANIELS POSITIONER CONTACT CRIMP ⚠ 3	DANIELS DIE SET BRAID CRIMP ⚠ 2	AMP DIE SET ⚠ 1	PART NUMBER

THIS DRAWING IS A CONTROLLED DOCUMENT.		DWN G. ATTADIA - DOCK5 31JAN2005	Tyco Electronics Corporation Harrisburg, PA 17105-3608	
DIMENSIONS: INCHES	TOLERANCES UNLESS OTHERWISE SPECIFIED:	CHK J. HAVENER 31JAN2005	NAME	
⊕	0 PLC ± -	APVD J. HAVENER 31JAN2005	CONNECTOR, JACK, SERIES SMB	
	1 PLC ± -	PRODUCT SPEC	-	
	2 PLC ± .010	APPLICATION SPEC	SIZE A2	CAGE CODE 00779
	3 PLC ± .005		DRAWING NO C=5414170	
	4 PLC ± -		RESTRICTED TO -	
	ANGLES ± 1°	WEIGHT -	SCALE 8:1 SHEET 1 OF 1 REV 0	
MATERIAL -	FINISH -	CUSTOMER DRAWING		

5414170